

Connect faster.

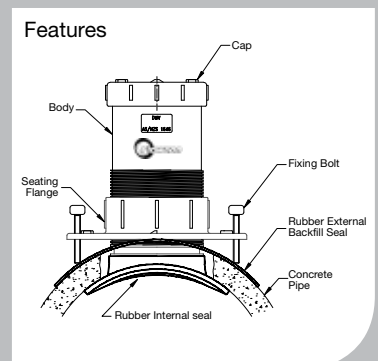
Conconnect® is an innovative new system for connecting PVC pipe to re-enforced concrete pipes, pits and tanks.

Conconnect® can literally save you hours on every job by eliminating the need for messy mortar or sealing compounds. What's more, the unique flange design prevents the pipe from moving after fitting, so you can backfill straight away.

Conconnect®

- seals both internally and externally
- no exposed reinforcement
- no pipe penetration
- eliminates blockages – no call backs
- no backfill can enter receiving pipe
- installed in less than a minute after break-in
- tight and secure connection guaranteed
- no messy sealing compounds or mortar
- also compatible with FRC and StormPRO® pipes
- specified by many Shires and Councils
- patent pending

| Code | Item | Size |
|---------|------------------------|-------|
| 1026635 | Flowcon PVC Conconnect | 100mm |
| 1026636 | Flowcon PVC Conconnect | 150mm |



Reece. Works for you.™

Call **1800 032 566** or visit www.reece.com.au

Due to limitations in the printing process the colours in this brochure are a guide only. The manufacturer/distributor reserves the right to vary specifications or delete models from their range without prior notification. The manufacturer/distributor takes no responsibility for printing errors.



reece

civil